

J SERIES DC Circuit Breakers

FEATURES

- Hydraulic – Magnetic Technology
- 100% Rating Capability Independent of Ambient Temperature
- IEC60947-2 SANS 556-1 Approved
- Any Ampere Ratings Possible
- Test Button Provided to Verify Mechanical Integrity of the Product
- Electrical Overload Indication via Trip Indicator and Mid Trip Handle

APPLICATIONS

- DC Branch Circuit Protection
- Telecommunication Equipment
- UPS Equipment
- Alternative Energy Equipment
- Battery Protection and Switching
- Telecommunication DC Power Distribution



J20SDC

JS20DC

TECHNICAL DATA

Product Type	JS20DC	J20SDC
Circuit	Circuit Breaker	Circuit Breaker
Approvals	IEC60947-2 SANS 556-1	IEC60947-2 SANS 556-1
Number of Poles	1	2 and 3 Pole Parallel
Operating Voltage	80V DC	80V DC
Maximum Current Rating	250A	750A
Interrupting Capacity	20kA	20kA
Operating Temperature Range	-5°C to +45°C	-5°C to +45°C
Product Type	JS20DCN	J20SDCN
Circuit	Switch	Switch
Approvals	IEC60947-3	IEC60947-3
Number of Poles	1	2 and 3 Pole Parallel
Operating Voltage	80V DC	80V DC
Maximum Current Rating	250A	750A
Interrupting Capacity	20kA	20kA
Operating Temperature Range	-5°C to +45°C	-5°C to +45°C

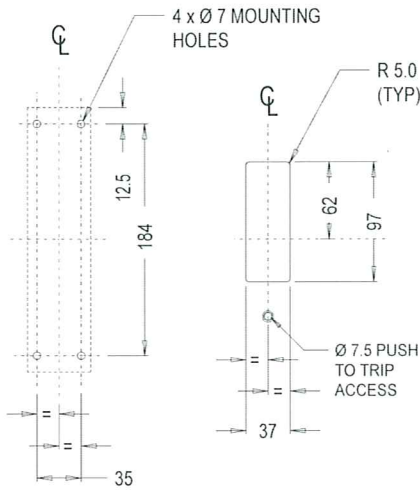
TIME DELAY DATA

Std. Curve Code	Limits	Percentage of Rate Current											
		Trip Time in Seconds											
JS	Min (s)	72	66	48	11	7.5	2.5	1.5	0.32	0.038	-	-	-
	Max (s)	3600	660	420	110	25	16	8.5	5	1.3	<0.2	<0.2	<0.018

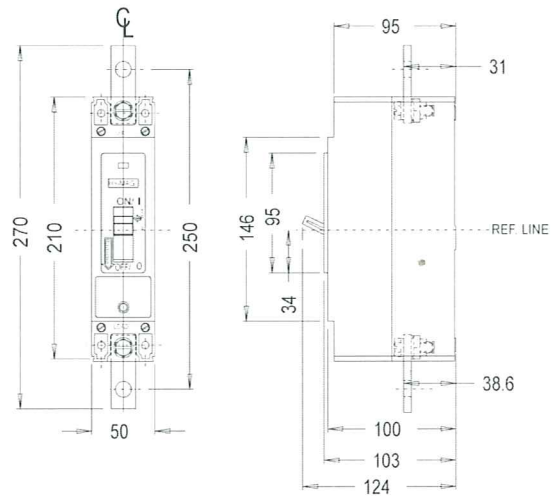
J SERIES DC Circuit Breakers

TECHNICAL DATA

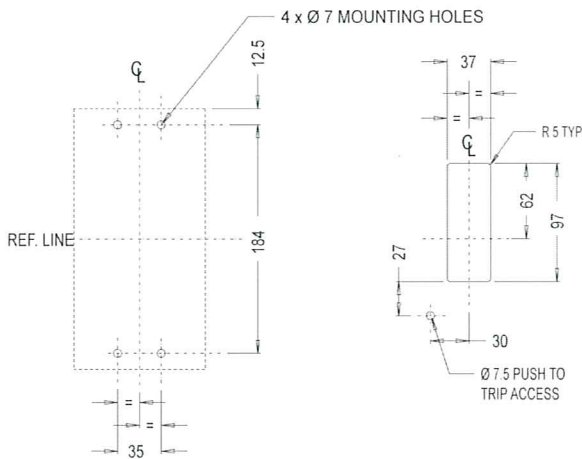
J SERIES DRILLING PLAN & FRONT PLATE CUTOUT SINGLE POLE



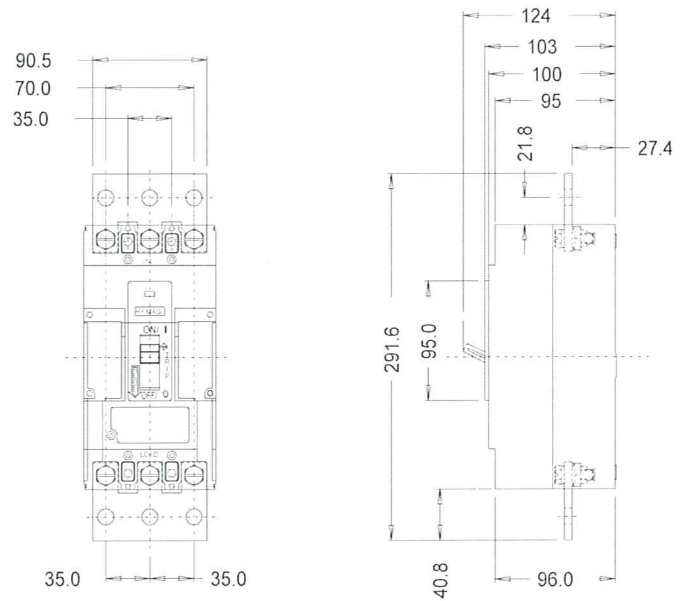
J SERIES SINGLE POLE



J SERIES DRILLING PLAN & FRONT PLATE CUTOUT FOR TRIPLE POLE BREAKER



J SERIES 3 POLE BRIDGED



UMA-JS-01/06/05

South Africa
Circuit Breaker Industries Ltd
 Tripswitch Drive Elandsfontein
 Gauteng South Africa
 Tel: +27 11 928 2000
 Fax: +27 11 392 2354
 E-mail: cbi@cbi.co.za
 Website: www.cbi.co.za

Germany
Circuit Breaker Industries GmbH
 Postfach 101240 D-86882
 Landsberg Germany
 Tel: +49 8191 9472900
 Fax: +49 8191 94729011
 E-mail: office@cbibreakers.de
 Website: www.cbibreakers.com

USA
Circuit Breaker Industries Inc
 35E Uwchlan Ave Suite 328
 Exton PA 19341 USA
 Tel: +91 610 524 9949
 Fax: +91 610 524 9945
 E-mail: info@cbibreakers.com
 Website: www.cbibreakers.com

Australia
Heinemann Electric (Pty) Ltd
 821 Springvale Road Mulgrave Melbourne
 Victoria 3170 Australia
 Tel: +96 13 956 03522
 Fax: +96 13 956 20420
 E-mail: heinelec@heinelec.com.au
 Website: www.cbi.co.za